

Guang Her Cheng Electronics Industrial Co., Ltd.

No. 47-3, Chung Cheng Rd., Tahu Village, Tahuhsiang, Miaolihsien, Taiwan.

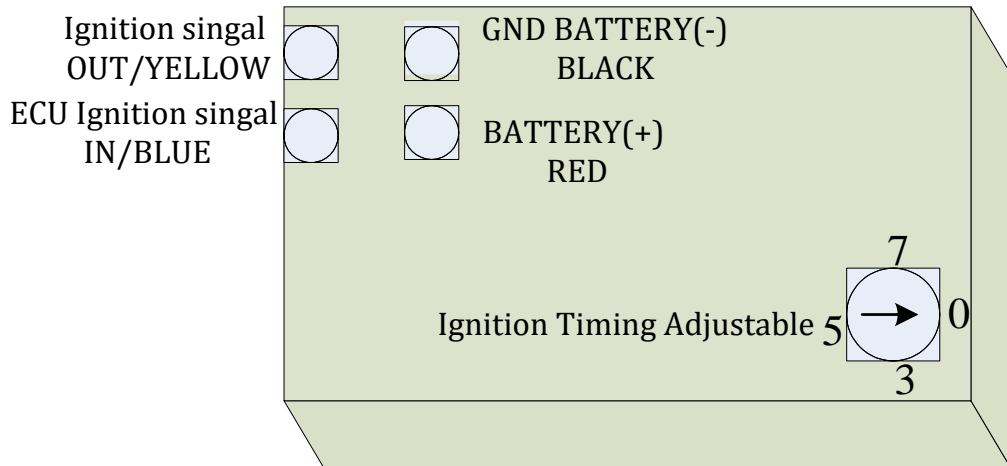
[Tel:+886-37991847](tel:+886-37991847) Fax:+886 37 991845 www.shonceche.com

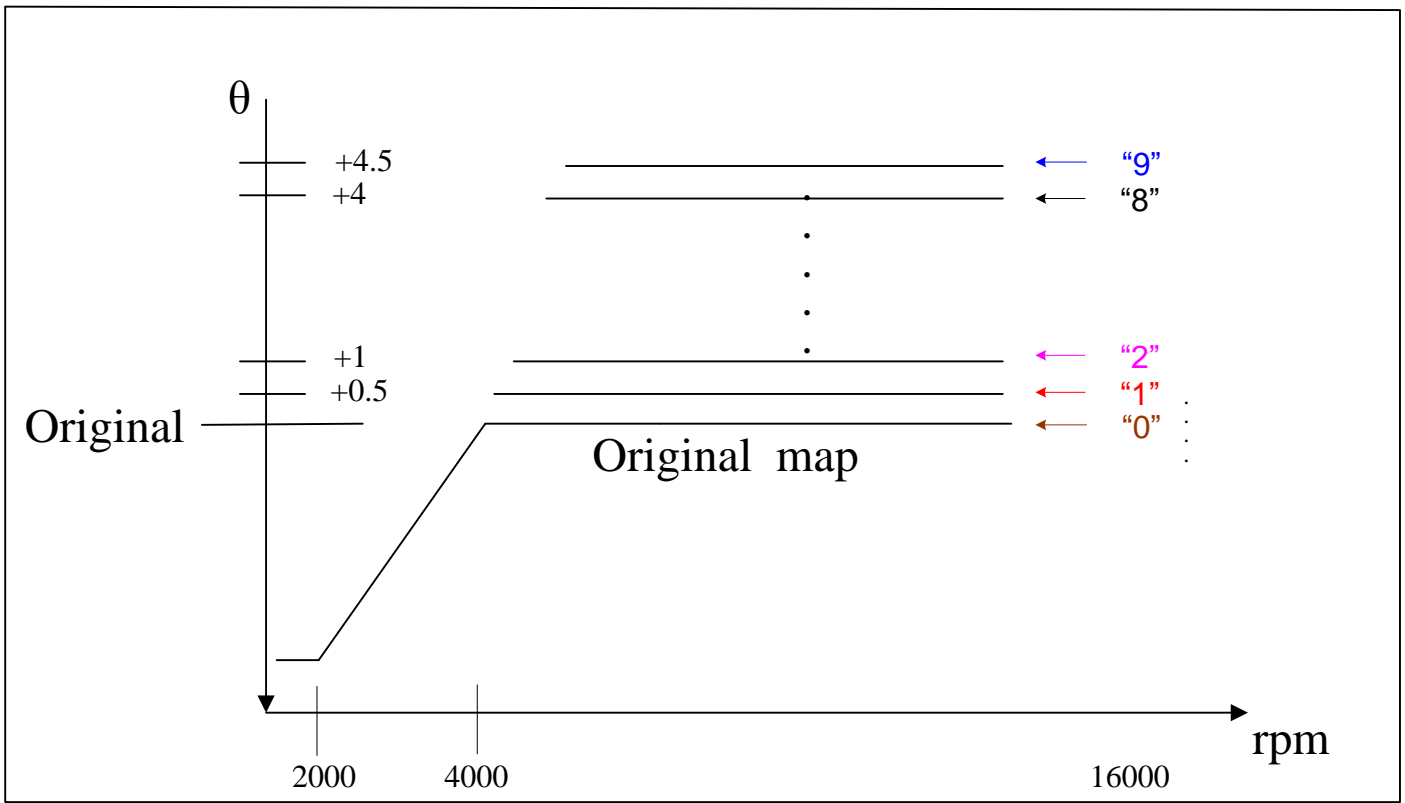
Email:ghc.sc@msa.hient.net

ECU IGNITION ADJUSTABLE Ignition adjustable controller **PX-10**

Specifications:

1. Applicable rotation speed: 500~15000rpm
2. Applicable voltage: 9-16v
3. Applicable temperature: -20°C ~+40°C
4. 0-9 Adjustment of ignition timing for all segments





Ignition timing-A

