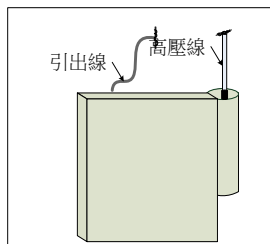


## ECU type capacitor ignition amplifier CDI & Coil PX-07

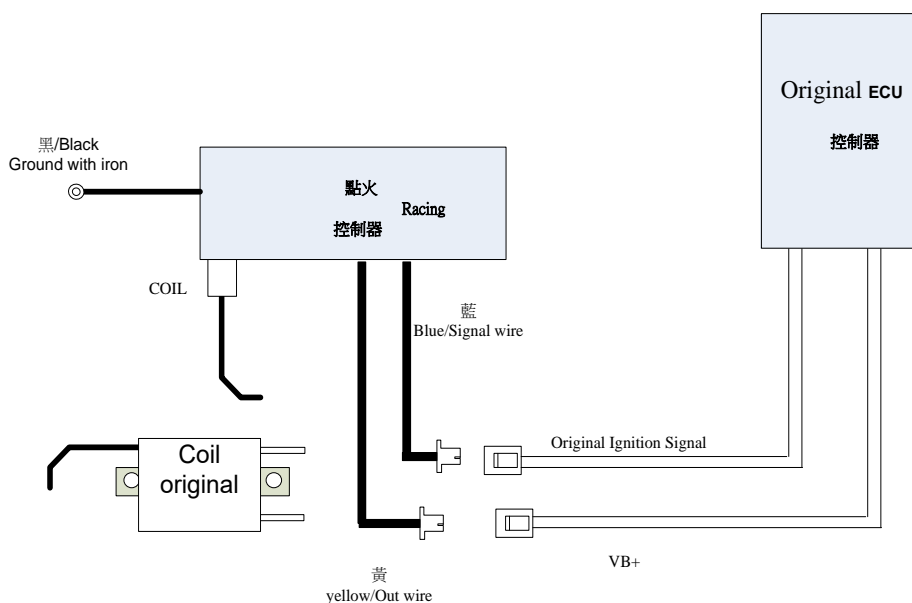
Instructions for use:

1. Applicable voltage: 9~16V
2. Applicable temperature: -20~+40°C
3. Function:
  - a. The fuel in the engine room is burned more completely
  - b. Reduce carbon deposits in the engine room
  - c. Instant acceleration performance
  - d. Output adopts multiple ignition system
4. installation method:



圖示三. 外型圖

### A. circuit diagram



圖示三. 實車配線圖

### Precautions:

1. Do not exceed the rated voltage and temperature.
2. This product is a modified product. If the engine is damaged due to improper adjustment, please pay attention.
3. Incorrect wiring may damage the product. Please pay attention.